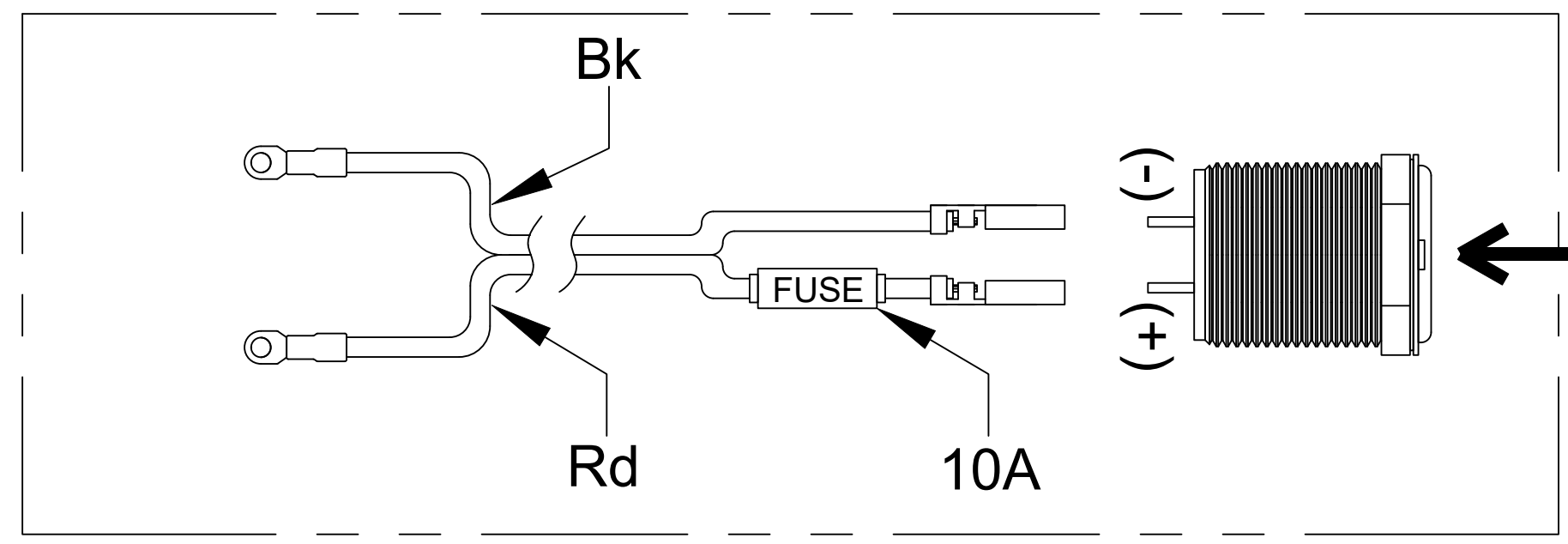
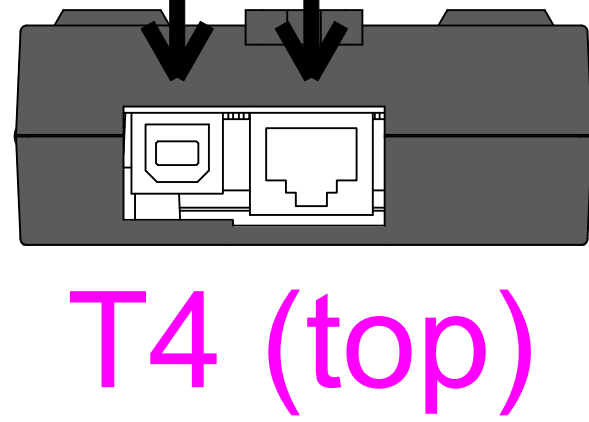
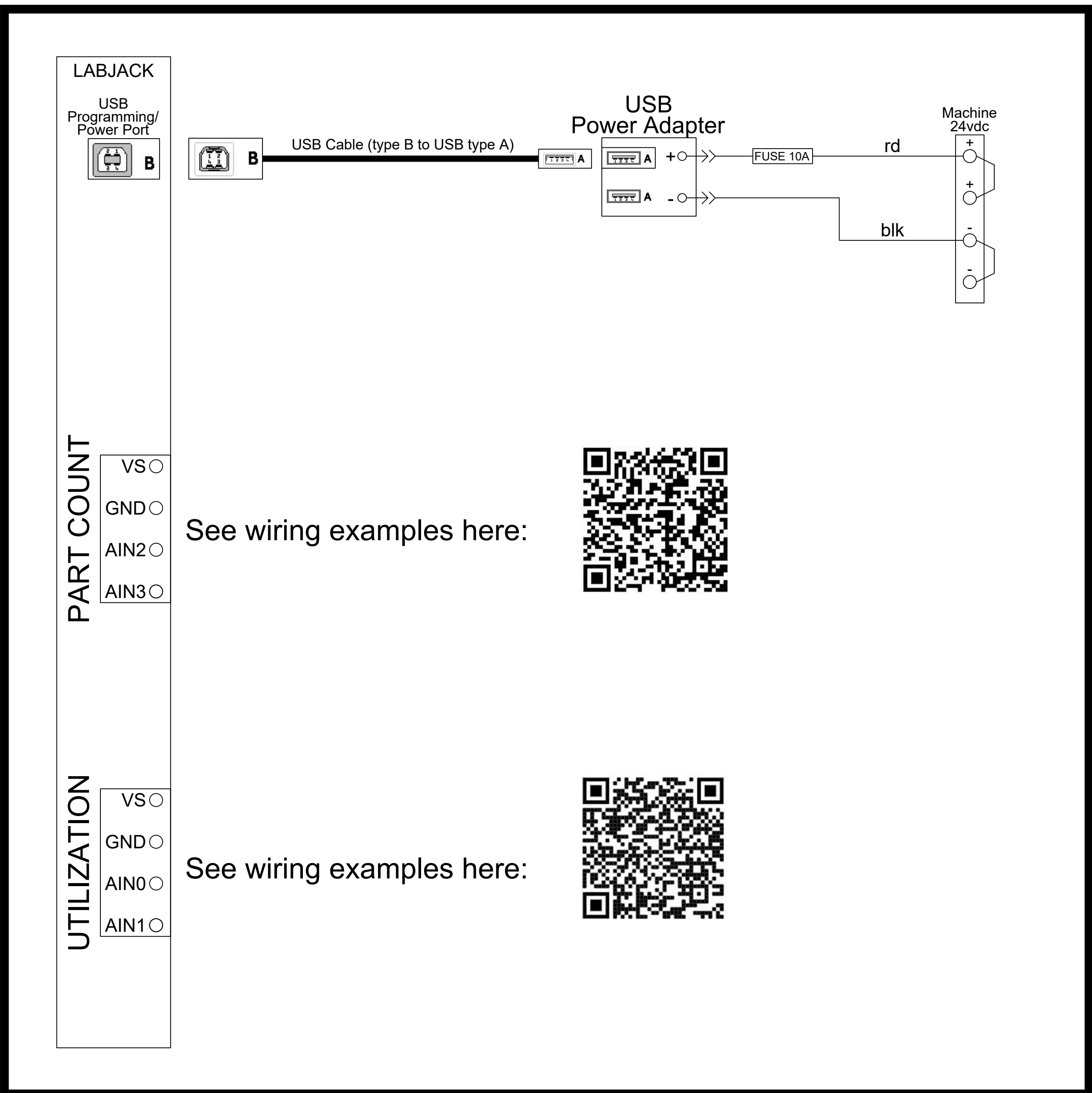


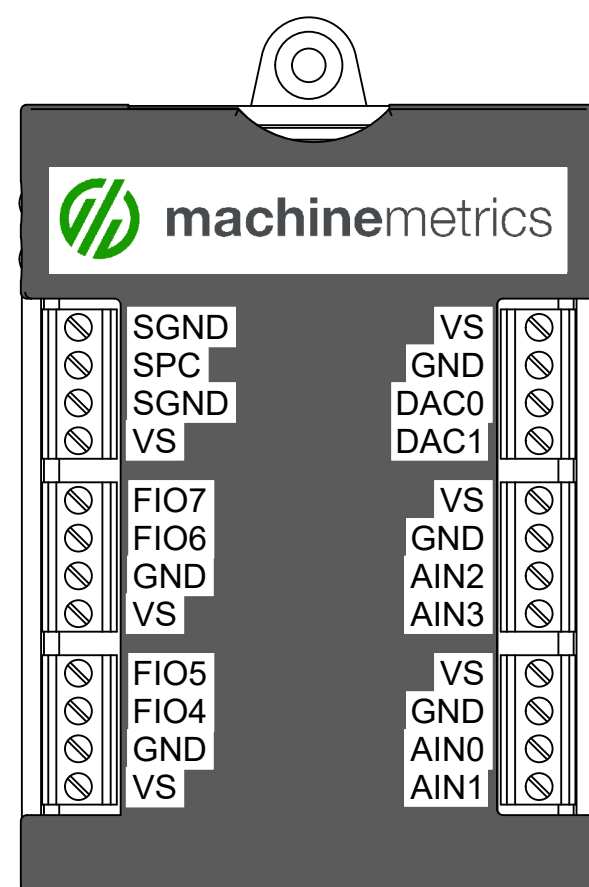
USB Power Outlet Set



I/O module schematic



Collecting Data using Digital I/O article here:



T4 Front



Title: *- CONNECTION DIAGRAM -
Example for T4 I/O Module
LAN Network Connection*

Created by: *C.Shaffer*

Creation Date: *2020/08/21*

Rev No.

Revised by: *--*

Revision Date: *Initial Release*

--

www.machinometrics.com

Notes: *None*

ANSI Size: *D*

Scale: *1:1*

Page:

413-341-5747

File Name: *CD-IO_Module_20200821.dwg*

01 of 01