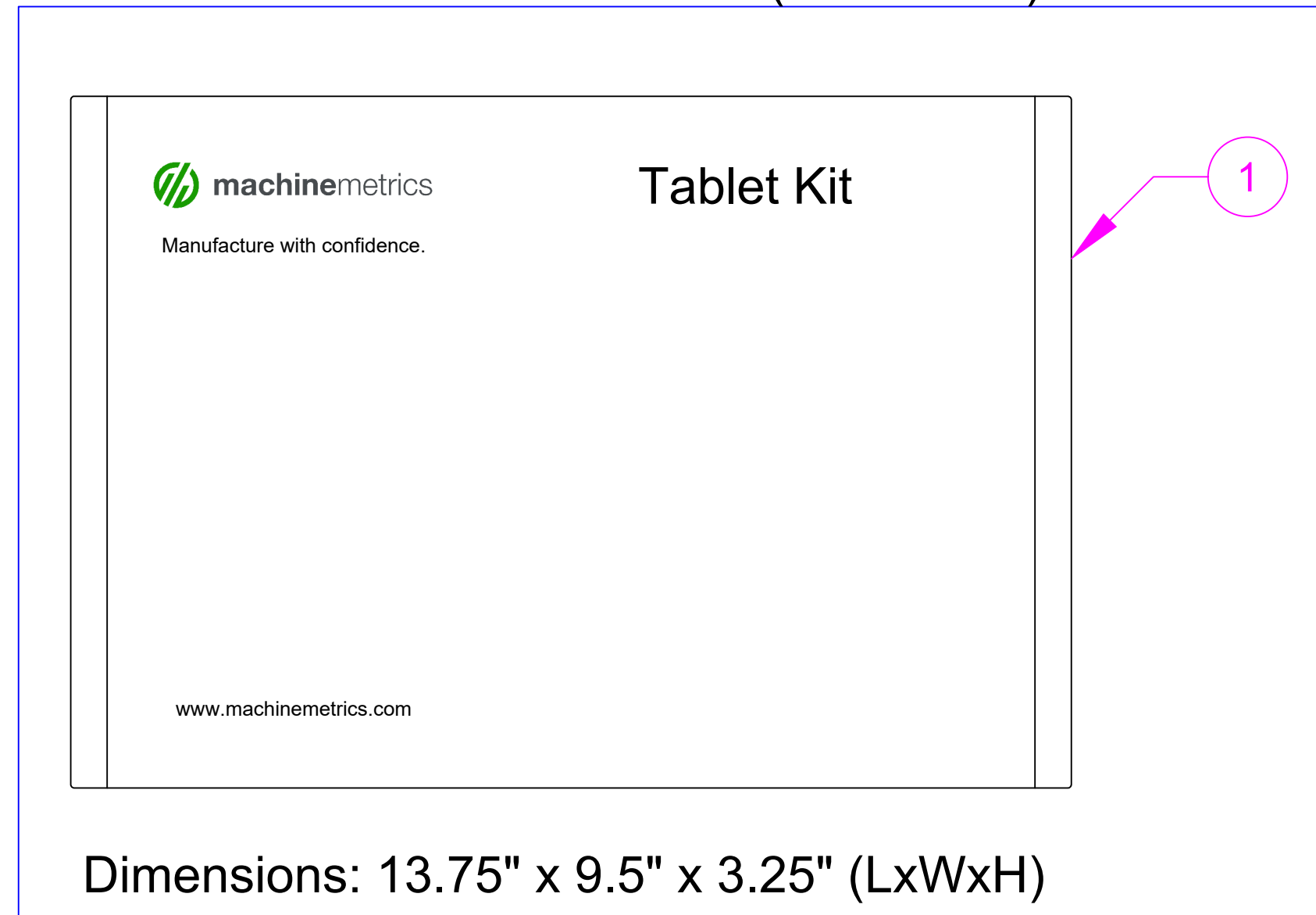
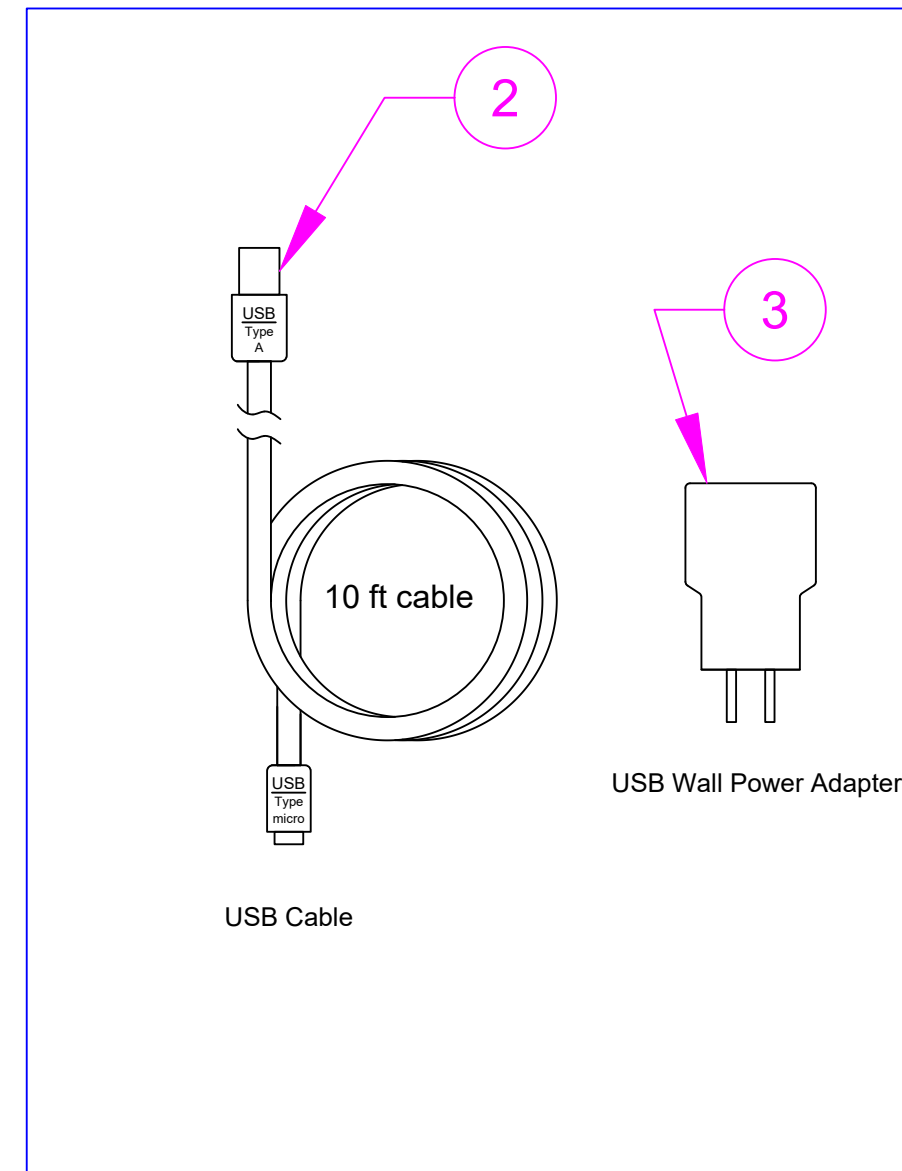


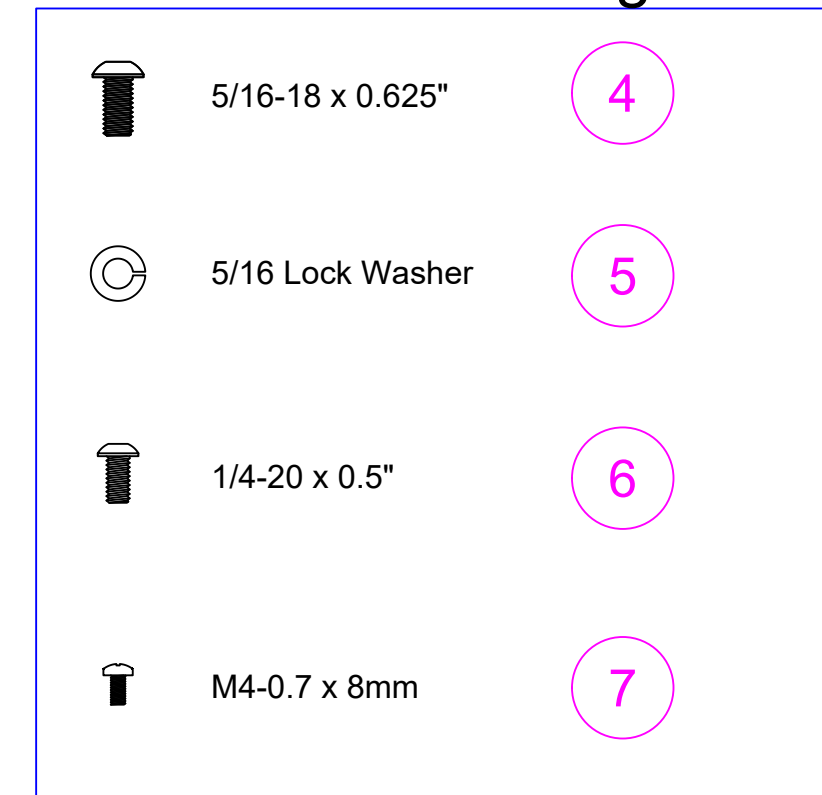
Tablet Kit Container (Cardboard)



Tablet USB Power Adapter

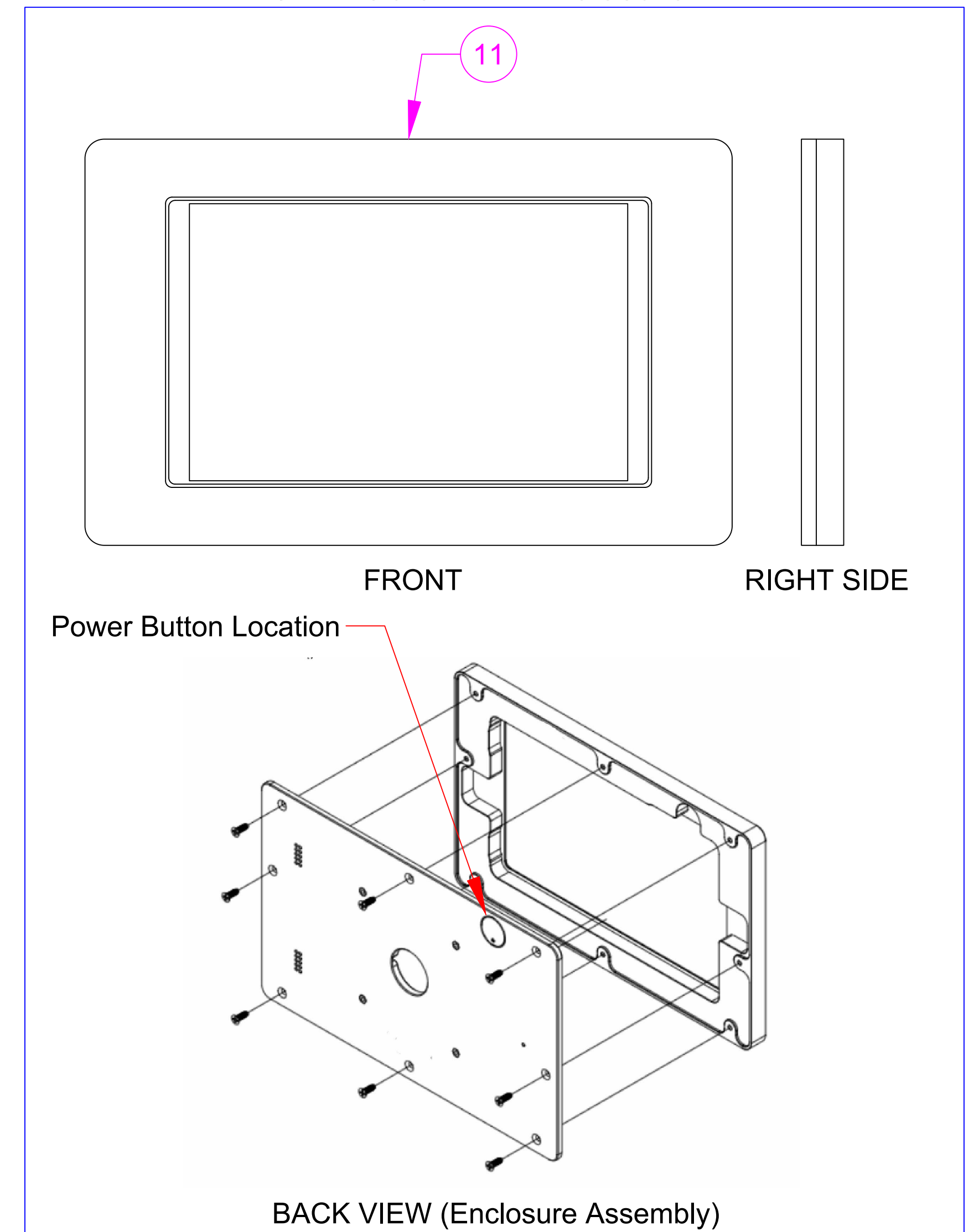


Hardware bag

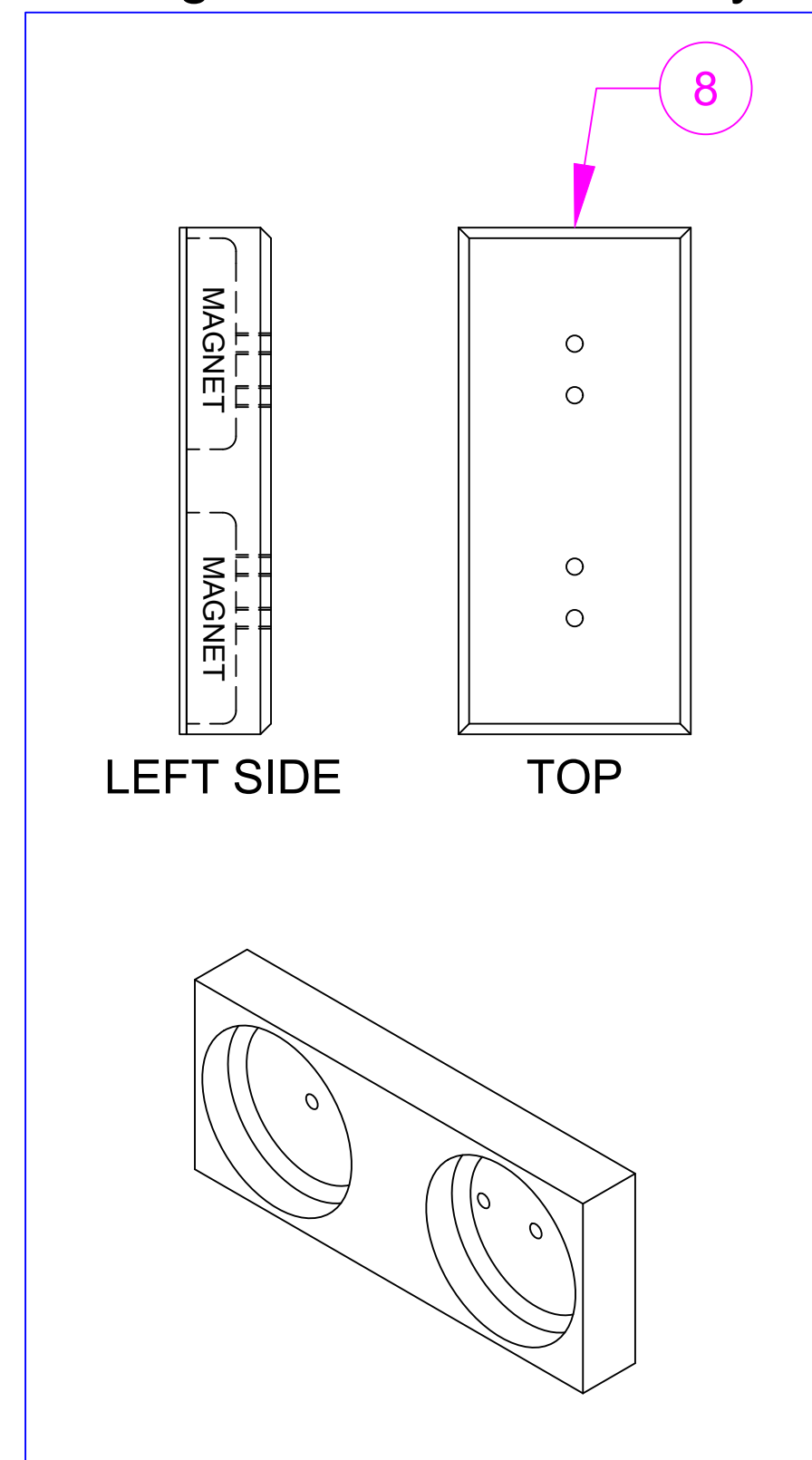


10.1" Tablet Kit - Bill of Materials		
ITEM	QTY	Description
1	1	Container, Carboard, for EDGE components
2	1	Cable, USB type A to USB type micro, 10ft
3	1	Adapter, Wall Power (100-240vac IN to 5vdc USB OUT)
4	1	Bolt, Buttonhead, 5/16-18x0.625
5	2	Washer, Lock, 5/16"
6	2	Bolt, Buttonhead, 1/4-20x0.5
7	4	Screw, Panhead, Phillips, M4-0.7x8mm
8	1	Base assembly, Magnetic
9	1	Arm assembly, Swivel
10	1	Bracket, Tablet to Arm adapter
11	1	Tablet Assembly, 10.1" with Protective Case

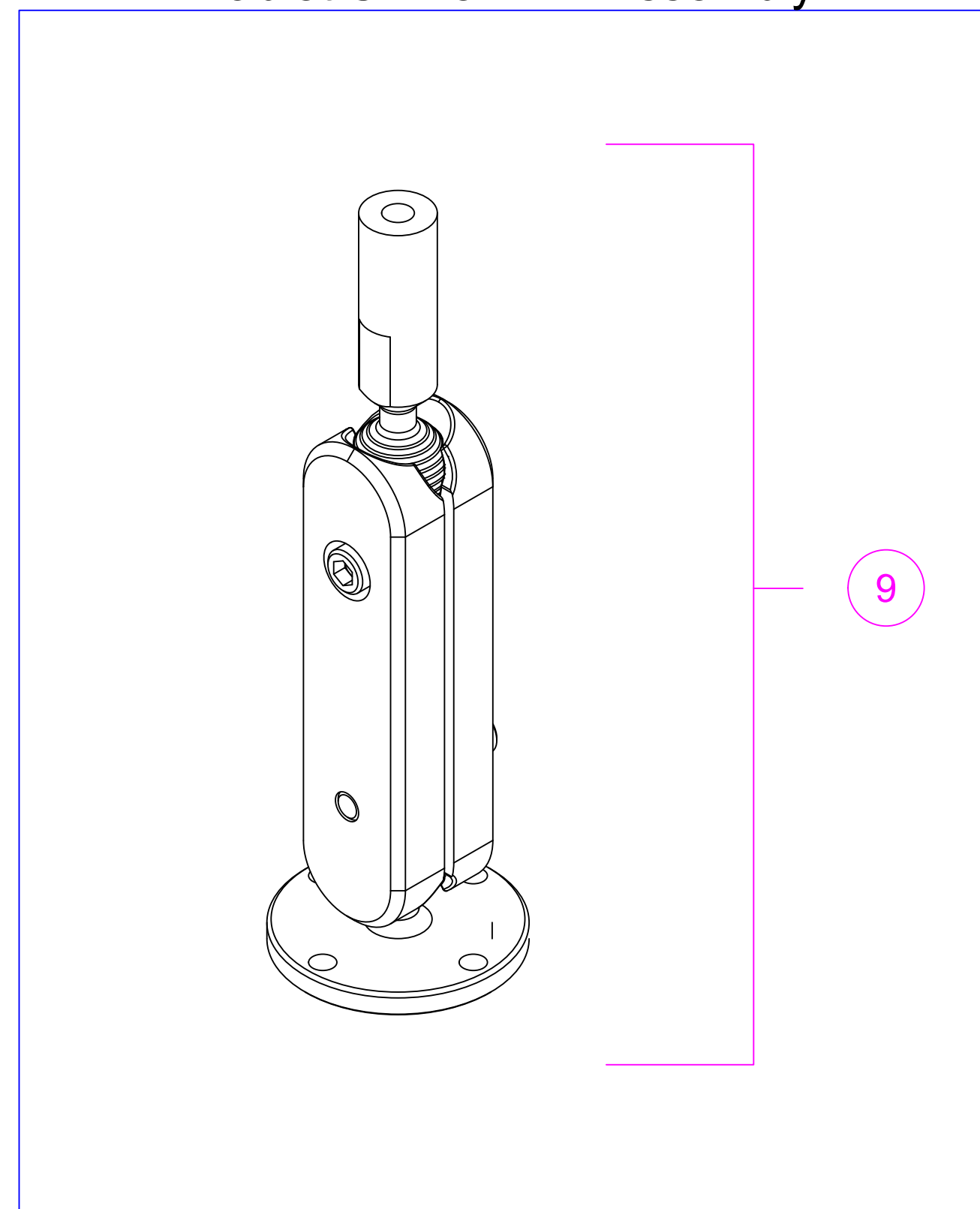
10.1" Tablet with Enclosure



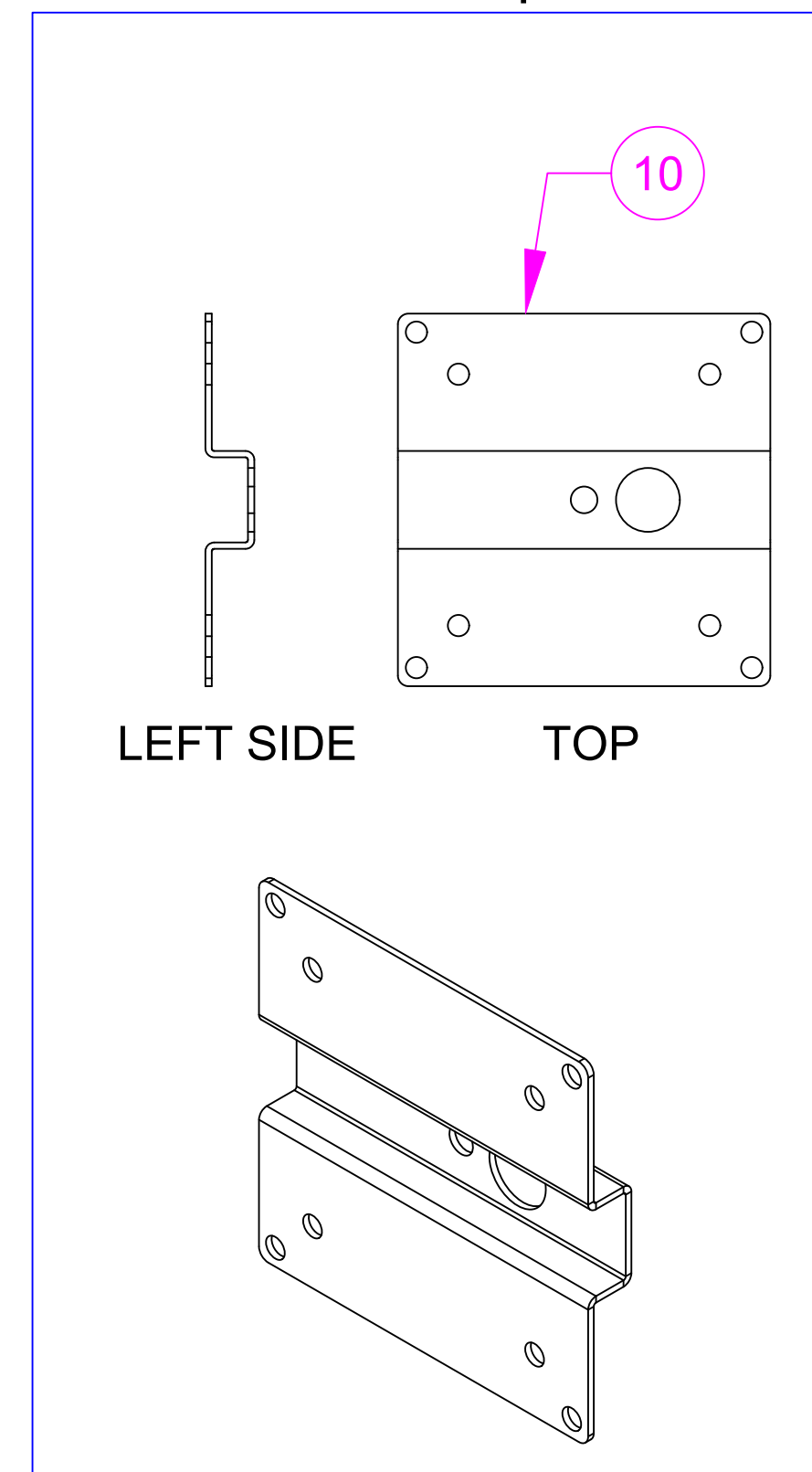
Magnetic Base Assembly



Tablet Swivel Arm Assembly



Tablet to Arm Adapter Bracket



www.machinometrics.com

413-341-5747

Title:

- HARDWARE -
BILL OF MATERIALS for
10.1" TABLET KIT

Notes:

Created by: C.Shaffer

Revised by: --

ANSI Size: D

File Name: HW-TABLET-KIT_20201021.dwg

Creation Date: 2020/10/21

Revision Date: Initial Release

Scale: 1:2

Rev No.

--

Page:

01 of 01