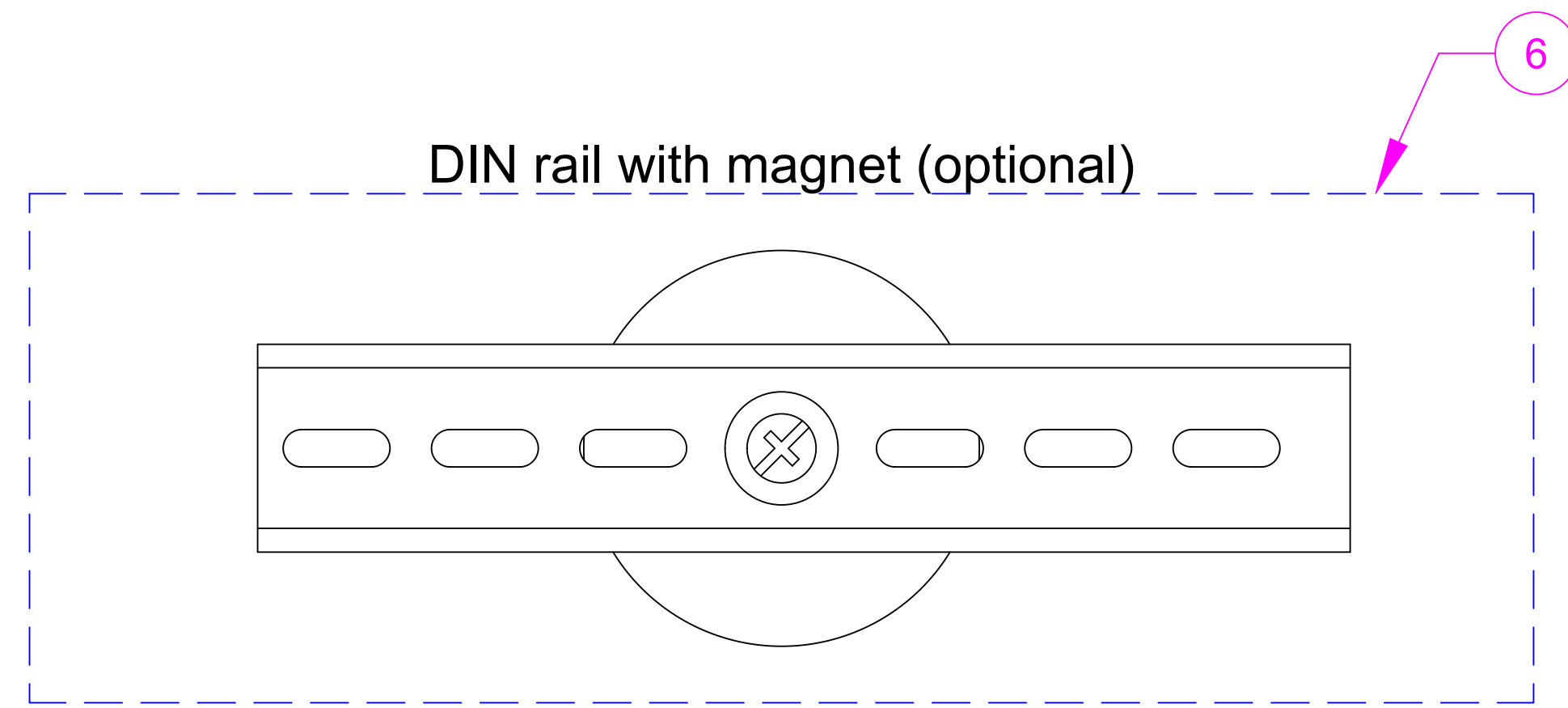
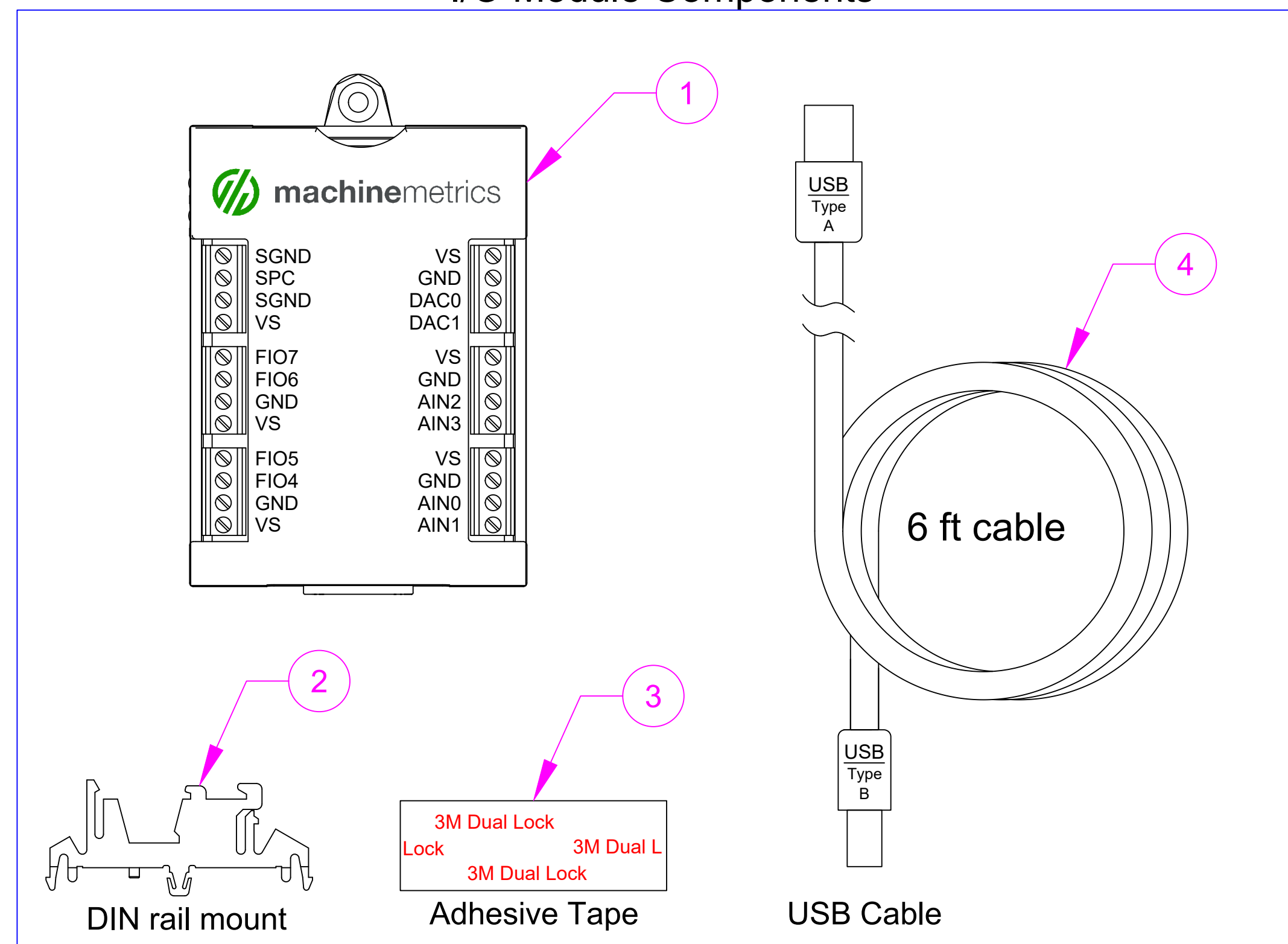


I/O Module U3 Kit - Bill of Materials		
ITEM	QTY	Description
1	1	U3 Labjack (DAQ device)
2	1	Mount, DIN rail (TE Connectivity - P/N TKAD)
3	1	Velcro adhesive tape, 3M
4	1	Cable, USB type A to USB type A, 6ft
5	1	Current transducer, ACT050-10-S, [IN] 0 - 10, 20, 50A to [OUT] 0-10vdc
6	1	DIN rail with heavy duty magnet, 7.25in

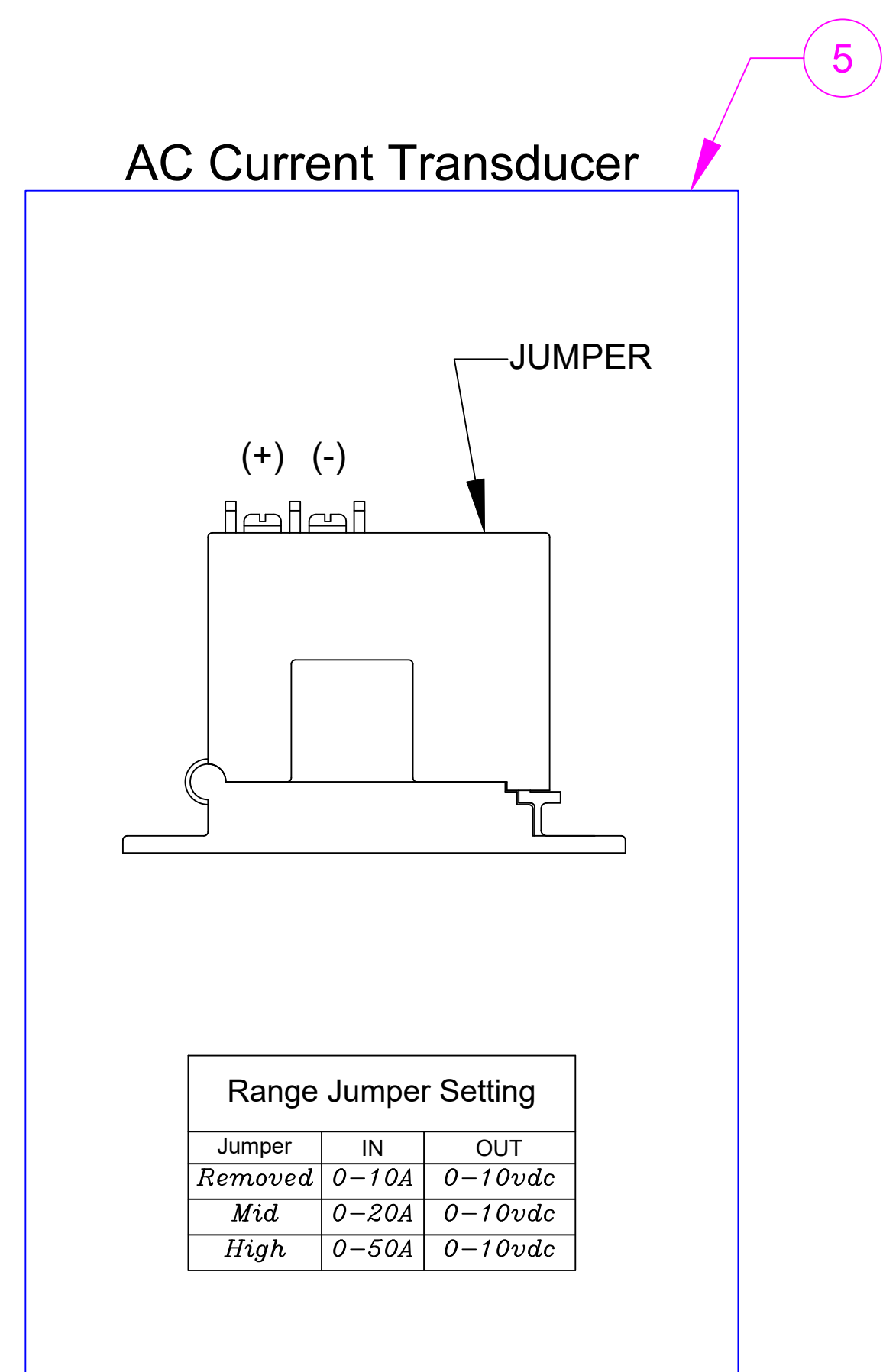
Optional



I/O Module Components



AC Current Transducer



www.machinmetrics.com

413-341-5747

Title: *- HARDWARE -*
BILL OF MATERIALS for
I/O MODULE U3 KIT

Notes:

Created by: *C.Shaffer*

Revised by: *--*

ANSI Size: *D*

File Name: *HW-U3-KIT_20200930.dwg*

Creation Date: *2020/09/30*

Revision Date: *Initial Release*

Scale: *1:1*

Rev No.

--

Page:

01 of 01